

Orona 3G

1030

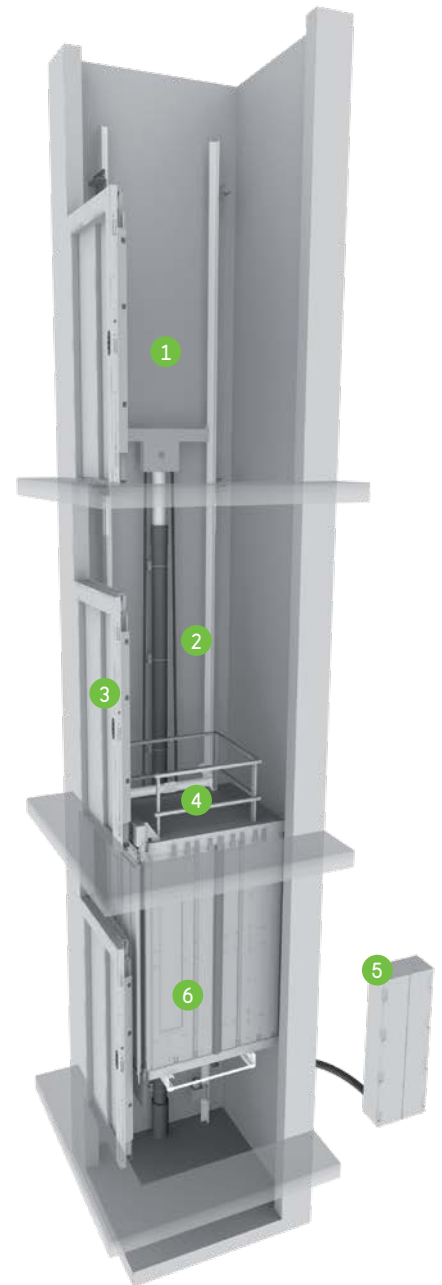
## Hydraulic drive solutions

For light-traffic applications.  
The versatile and adaptable hydraulic solution.

### General specifications

Load	320 to 1,000 kg
Capacity	4 to 13 persons
Speed	0.6 m/s
Maximum travel	21 m
Maximum floors served	7 floors or 14 floors (only with two entrances)
Entrances	1 front / 2 open through / 2 front & side
Drive system	Hydraulic
Controller	ARCA II controller, low energy microprocessor
Door types	Semiautomatic + Articulated (BUS) / Automatic side-opening / Automatic central-opening
Clear door opening	From 600 to 1,600 mm (in 100 mm increments)
Door height	2,000 / 2,100
Car dimensions	Parametric car dimensions
Internal car height	2,100 / 2,200
Aesthetic solutions	DR1 / DR2 / DR3 / DR4 / DR5 / DR6 / DR7 / DR8 DS1 / DS2 / DS3 / DS4 / DS5 / Orona 3G Domo Plus

Standard Optional



#### 1 HYDRAULIC LIFTS

The hydraulic systems, renowned for their long life cycle, are very versatile and offer convenient solutions to high load requirements or reduced shaft spaces.



#### 2 PARAMETRIC/FLEXIBLE

Flexible car and door configurations ensure available shaft dimensions can be optimised (optional).



#### 3 DOORS

Compact permanent magnet motor for fast, accurate and quiet door operation giving the most advanced performance. Advanced door opening and full height infra red door protection edges.



#### 4 CAR ACCESSIBILITY

Optional EN 81-70 accessible car.  
Optional car light control, including LED lighting options.



#### 5 REDUCED MACHINE ROOM

As an alternative to a machine-room, the controller/machinery can be fitted into a metal cabinet and located in a convenient location within the building.



#### 6 TWO-WAY COMMUNICATIONS

Between the lift and the emergency 24-hour Service Call Centre according to EN 81-28.



ECO-EFFICIENCY



ADAPTABILITY



DESIGN AND ACCESSIBILITY



CONTROL AND SAFETY

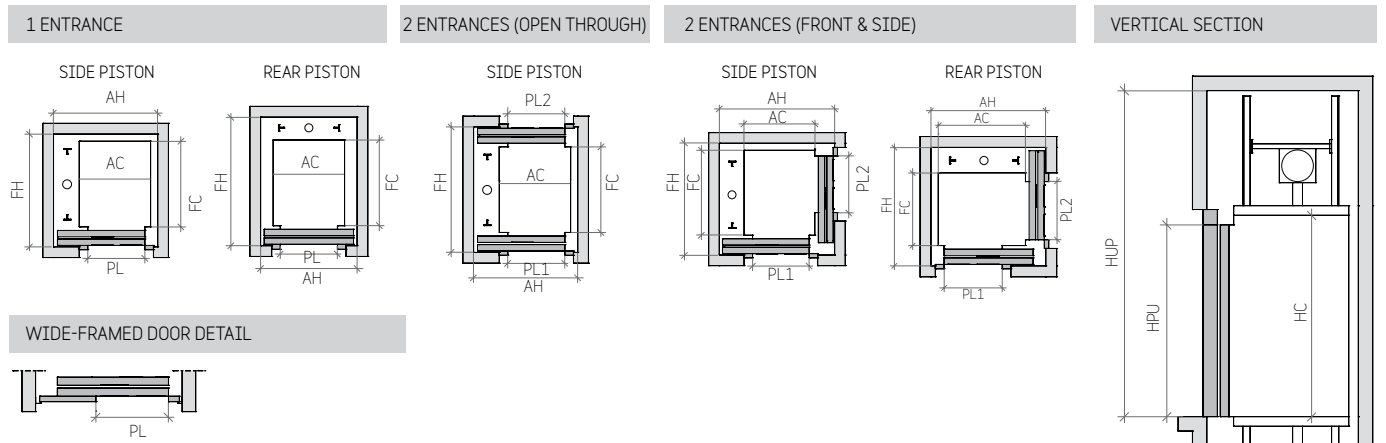
# Standard dimensions

Load / Capacity		Lift shaft *													HF Pit	HUP <sup>2</sup> Last Floor	
		Side piston (T 2P Doors)							Rear piston (C 4P Doors)								
		Standard car			Lift shaft				Standard car			Lift shaft					
Persons	Q Load	AC Width	FC Depth	PL Clear opening	Entrances		AH Width	FH <sup>1</sup> Depth	AC Width	FC Depth	PL Clear opening	Entrances		AH Width	FH <sup>1</sup> Depth		
					Accessibility	No. of entrances						Accessibility	No. of entrances				
4	320 kg	825	1100	700		1	1250	1350	825	1100	700	1	1175	1650	1050	3010	
						2 x 180°	1250	1500				2 x 180°	1175	1650			
						2 x 90°	1400	1350				2 x 90°	1175	1650			
6	450 kg	1000	1250	800	♿	1	1425	1500	1000	1250	800	♿	1	1325	1800	3150	
						2 x 180°	1425	1650				♿	2 x 180°	1325	1800		
						2 x 90°	1575	1500				♿	2 x 90°	1325	1800		
8	630 kg	1100	1400	900	♿	1	1575	1650	1200	1250	900	♿	1	1475	1800	1100	3230
						2 x 180°	1575	1800				♿	2 x 180°	1475	1800		
						2 x 90°	1675	1650				♿	2 x 90°	1475	1800		
10	800 kg	1350	1400	900	♿	1	1800	1650	1350	1400	900	♿	1	1700	1975	1100	3230
						2 x 180°	1800	1800					2 x 180°	1700	1975		
						2 x 90°	1925	1650					2 x 90°	1700	1975		
13	1,000 kg	1100	2100	900	♿	1	1550	2350	1600	1400	1000	♿	1	1700	1975	1100	3230
						2 x 180°	1550	2500					2 x 180°	1700	1975		
						2 x 90°	1675	2350					2 x 90°	1850	1975		
13	1,000 kg	1400	1600	1000	♿	1	1850	1850	1600	1400	1000	♿	1	1700	1975	1100	3230
						2 x 180°	1850	2000					2 x 180°	1850	1975		
						2 x 90°	1975	1850					2 x 90°	1850	1975		

- 1 Shaft depth with door tracks projecting 60 mm on the landing
- 2 Minimum HUP for internal car height (HC) of 2,100 mm (HUP = HC+1,225)

- 3 Usable for disabled people, according to European standard EN 81-70
- \* Minimum plumb measurements

## Layout



## Customised car dimensions

**SIDE PISTON**

		Car width										Clear door opening															
		16	15	14	13	12	11	10	9	8	7	6	5	4	3	2	1	0	600	700	800	900	1000	1100	1200	1300	1400
16	16	16	15	14	13	12	11	10	9	8	7	6	5	4	3	2	1	0									
15	14	13	13	12	10	10	9	8	8	7	6	5	5	4	4	3	2	1									
13	13	12	11	10	10	9	8	8	7	6	5	5	4	4	3	2	1	0									
12	11	10	10	9	8	8	7	7	6	5	5	4	4	3	2	1	0										
10	10	9	8	8	8	7	6	6	5	5	4	4	3	2	1	0											
9	8	8	8	7	7	6	5	5	5	4	4	3	2	1	0												

**REAR PISTON**

		Car width										Clear door opening																		
		13	12	10	9	2100	2000	1900	1800	1700	1600	1500	1400	1300	1200	1100	1000	900	800	600	700	800	900	1000	1100	1200	1300	1400	1500	1600
13	13	13	12	10	9	8	7	6	5	4	3	2	1	0																
12	11	10	10	9	8	8	7	6	5	4	4	3	2	1	0															
11	10	9	8	8	7	6	5	5	4	4	3	2	1	0																
10	9	8	8	7	6	5	5	4	4	3	2	1	0																	
9	8	7	6	5	5	4	4	3	2	1	0																			
		6	5	5	4	4	3	2	1	0																				
		5	5	4	4	3	2	1	0																					
		5	4	4	3	2	1	0																						

Note:  
Car width and depth variable in increments of 5 mm.  
For simplification, table samples show increments of 100 mm.

Note:  
Car width and depth variable in increments of 5 mm.  
For simplification, table samples show increments of 100 mm.

